

snookums

ELECTRIC STEAM STERILISER

INSTRUCTIONAL MANUAL

Before using this steriliser, please ensure that you fully read and understand instructions, and retain it for future reference.

WARNING!

- This steriliser is suitable for use anywhere in the world where the mains supply voltage is 220V to 240V ac 50/60Hz. Please check that the voltage rating marked on the rating plate of the steriliser (e.g. 220-240V) corresponds with your actual supply voltage.
- Never immerse the steriliser in water.
- Do not allow children to play with the appliance.

Cleaning and Usage

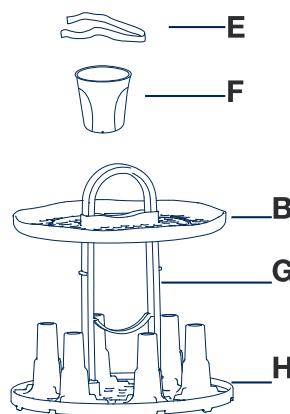
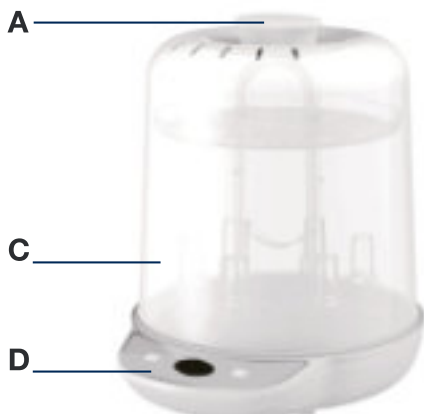
- Children should not be allowed to clean the appliance without supervision. Always keep the appliance and mains cord out of the reach of children.
- Do not let the mains cable hang over the edge of the table or worktop on which the appliance stands.
- Ensure that the steriliser is placed on a dry, stable and level surface when in use.
- The steriliser will get extremely hot during use and may cause burns if touched.
- Never touch or open the steriliser when in use or shortly after the sterilising cycle has finished as it contains boiling water and steam
- Allow to cool for at least 3 minutes before handling. Only hold the lid by its grips.
- Beware of hot steam that comes out of the vents in the lid during use and when you open the lid following a cycle-HOT STEAM CAN CAUSE BURNS. Do not obstruct the steam vents during use.
- Keep the steriliser well away from other objects when in use. Do not place items on top of the steriliser when in use.
- Always disconnect from the mains power socket when not in use.
- To stop the steriliser mid-cycle, turn off at the mains socket and disconnect the power cable.

- Never use the steriliser without water. Do not use sterilising liquid, sterilising tablets or other chemicals in the steriliser.
- Never allow items to come into contact with the steriliser heating plate during use. For this reason, do not attempt to sterilise small items that could fall through the holes onto the heating plate.
- Do not attempt to disassemble the base - RISK OF ELECTRIC SHOCK. In the event of product failure, please return it to the store of purchase along with your receipt.
- Do not use the appliance if the plug, mains cable or appliance itself is damaged.
- Only use the appliance for sterilising baby bottles and other accessories that are suitable for steam sterilisation. Always check that items are suitable for steam sterilisation before putting them into your steriliser. Do not sterilise items that are filled with liquid. E.g. water or gel-filled teething.
- Always let the appliance and its contents cool down for at least 3 minutes before attempting to move it.
- Do not touch or move the steriliser whilst it is operating.
- Always pour any remaining water out of the steriliser base after use and when the appliance has cooled down.
- Regular care and cleaning is essential to maintain the steriliser in peak working condition.
- Ensure that the steriliser is descaled on a regular base to prevent the build-up of limescale which could cause irreparable damage. For further details read the descaling section for these instructions.
- The appliance is intended for household use only.

Before First Use

We recommend that you run a cycle to ensure that the steriliser is clean, functioning correctly and is ready to use before sterilising your feeding bottles and accessories for the first time.

STERILISER CONTENTS:

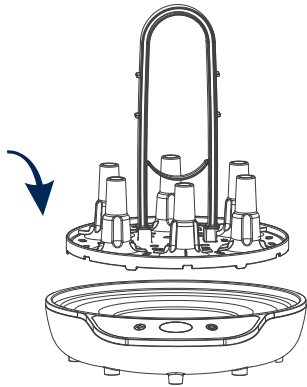


PROBLEM SOLVING

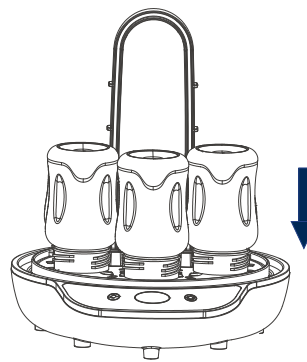
- A) Lid
- B) Upper accessories rack
- C) Steriliser body
- D) Steriliser base with heating element and LCD display
- E) Tong
- F) Measuring bracket
- G) Bottle bracket
- H) Bottom bottle rack

ASSEMBLING YOUR STEAM STERILISER

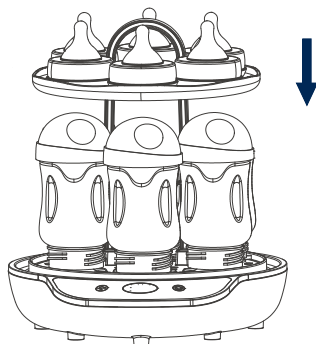
A



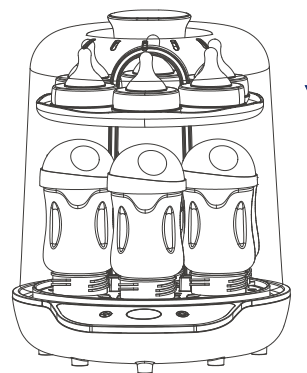
B



C



D



1. Place the steriliser base on a firm, level surface.
2. Assemble the bottle bracket into bottle rack and then lay it on the steriliser base. (see Figure A above)
3. Place up to 6pcs bottles downward onto the bottle rack. (see Figure B)
4. Place pacifier rack on the bottle bracket then lay the teats and other accessories on the pacifier rack. (see Figure C)
5. Cover it with the steriliser body on top of the base unit. (see Figure D)

BEFORE EACH USE

1. Before sterilising, thoroughly clean all items to be sterilised by washing in warm water with mild cleanser and rinse well.
2. Using the measuring cup, measure 90ml of water and pour it onto the heating element on the steriliser base. If you use more or less than 90ml of water there is a chance that the items may not be properly sterilised.

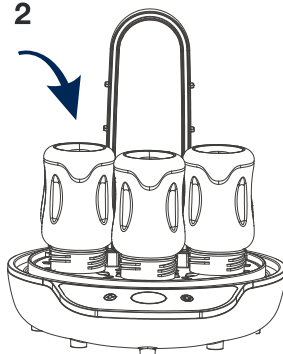
LOADING AND OPERATION OF YOUR STERILISIZER

1



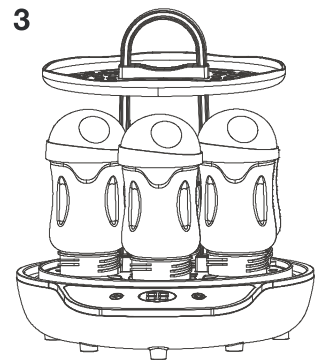
1. Pour 90ml of distilled / tap water into the base using the measuring cup provided.

2



2. You can sterilise up to 6 standard or extra wide bottles at a time. Place bottles in the main steriliser body upside down on top of bottle rack provided.

3



3. Place the extra wide bottle caps loosely on top of each bottle base, open side down.

CARE AND CLEANING

Never immerse the steriliser in water or any other liquid.
 After each use pour away any remaining water from the base unit and wipe dry.
 Do not use bleach, abrasives, anti-bacterial materials or scourers to clean the steriliser.
 Do not use chemically softened water in the steriliser.
 Do not put your steriliser in a dishwasher.
 Regularly inspect the steriliser and its mains cable for signs of damage. If the mains cable or the steriliser is found to be damaged, it should be carefully disposed of.
 This product contains no user-serviceable parts.

PROBLEM SOLVING

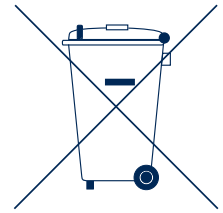
You should descale your steriliser every 4 weeks to ensure it continues to work efficiently, especially if you live in a hard water area. Failure to do so may lead to the buildup of limescale on the steriliser heater plate which will hinder efficient sterilisation and may ultimately lead to malfunction or failure of your unit.

PROBLEM SOLVING

If Electric Steam Steriliser fails to work, please check that it is being used in accordance with these instructions and check against the checklist provided alongside.
 It is also important to make sure the fuse in the plug and the mains supply is intact and the mains supply is turned on.
 If after carrying out all checks, the steriliser is found to be faulty and is within the guarantee period, it should be returned to the store along with your proof of purchase.

DISPOSAL

In order to minimize hazards to your health and the environment and ensure that materials can be recycled, this product should be disposed of at a separate collection facility for waste electrical and electronic equipment. The wheelie Bin symbol marked on products is there to remind you.



PROBLEM	CHECK
Unit will not switch on.	Check that the unit is plugged into the mains supply properly. Check that the socket is switched on. Check the fuse in the plug. Check the socket by plugging in another appliance.
Excessive steam escaping from the lid.	Check the lid is fitted properly and is fully closed and making a good seal. Re-arrange items in the steriliser if they are preventing the lid from closing.
Brown stains have appeared on the inside of the unit.	Ensure items are fully cleaned and rinsed prior to putting them in the steriliser.
The heater plate has become discoloured.	The heater plate may become discoloured due to use. However this will not affect the performance of the unit.
The appliance doesn't restart immediately after being used.	Allow the unit to cool for 10 minutes to allow the thermostat to reset.
The heater plate has white spots and / or has a flaking coating.	Scale buildup is normal, particularly in hard water areas. Remember to de-scale the unit regularly.